

# TT-I175 ICE CHUSHER

## Operating Manual

### CONTENTS

I. Machine Partly Illustration

II. Parts List

III. Installation

IV. Operating Guide

V. Safety Caution

VI. Maintenance

VII. Trouble and Solution

VIII. Technical Parameters

IX. Circuit Diagram



Soluciones de pesaje y  
equipos para alimentos

Note : Please save the manual carefully for referring .

The machine is subject to improve without notice .

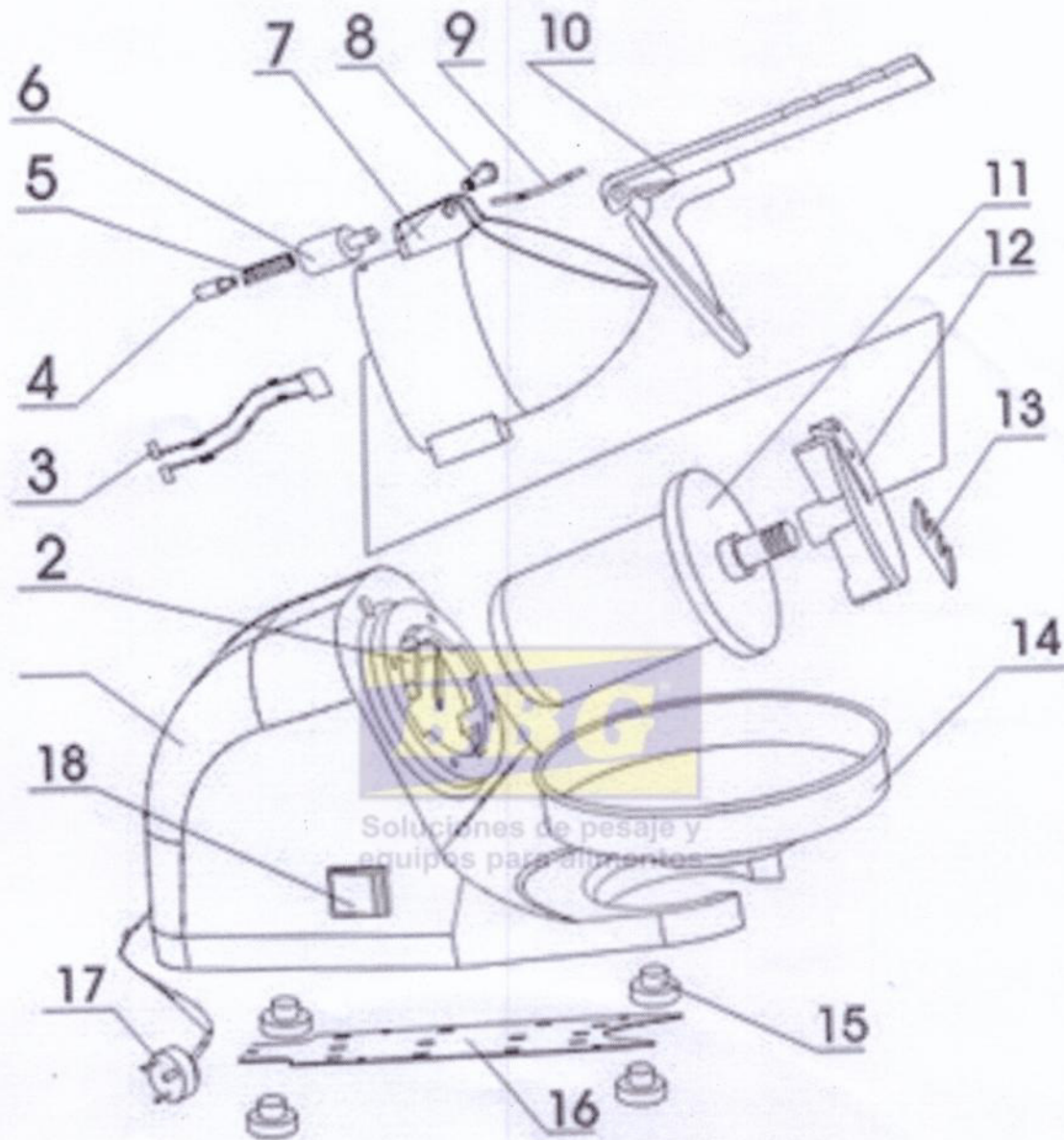
MANUAL TRITURADOR DE HIELO MARCA BBG REF: TT-ICE

Welcome you to choose TT-I175 Ice crusher . It is a new type of ice crusher of our company developing through synthesizing advantages of many similar products. It has beautiful appearance , is easy for operation , has good seals , stable movement and reliability. When handle raised, motor of ice crusher will turn off automatically and stop turning. It is an excellent helper to break ice.



Soluciones de pesaje y  
equipos para alimentos

### I. Machine Partly Illustration



## II. Parts List

Items	Part Number	Description	Remark
1	TT-I175-001	Base Plane	
2		Power-down Switch	Outside Buy
3		AC/AD Convertor	
4	TT-I175-010	Top Shaft	
5	TT-I175-011	Spring	
6	TT-I175-002	Orientation cover	
7	TT-I175-003	Ice-breaking container	
8	TT-I175-012	Connecting Bolt	
9		Steel Wire	Outside Buy $\Phi$ 1.7
10	TT-I175-006	Handle	
11		Motor	
12	TT-I175-004	Tool Carrier	
13	TT-I175-005	Blade	
14	TT-I175-008	Ice-broken Container	
15	TT-I175-009	Bracket	
16	TT-I175-007	Motherboard	
17		Electrical Wire	
18		Power Switch	

## III. Installation

3.1 Set ice breaker on horizontal and stable worktable (shown in Fig 1.)

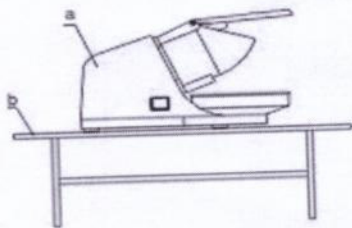


Fig.1

a. Ice breaker

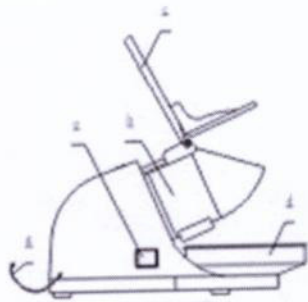
b. Worktable

3.2 Ice breaker must use the separate electrical socket with safeguard.

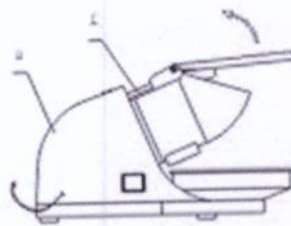
Rated Voltage is 110V , and Frequency 60 Hz. The electrical socket must have ground wire. And the resistance is less than 0.1 ohm.

#### IV. Operating Guide

Operating steps are shown in Fig. 2 .



Power-down condition(1)



Working condition (2)

- c. Base Plane
- d. Ice-breaking Container
- e. Handle
- f. Ice-broken Container
- g. Power Switch
- h. Orientation Cover
- i. Electrical Wire

Fig.2

4.1 Raise handle (c) (shown in Fig.2(1)).

4.2 Connect electrical wire(g) to an electrical socket , and then turn on power switch (e). The machine is power-down condition this moment .

4.3 Put ice-broken container(d) to the ice's outlet under ice-breaking container(b), and then put some ice in ice-breaking container( Note: Ensure ice not to overbrim ice-breaking container).

4.4 Hold the top of handle and push it toward ice in ice-breaking container. When handle was pushed to certain angle , power-down switch is turned on , machine begins to work, and tool carrier begins to rotate , thus ices are cut into small ices and drop into ice-broken container from the outlet under ice-breaking

container(shown in Fig.2(2)).

- 4.5 After finished, raise handle in a counter-clockwise direction, motor of icebreaker will turn off automatically and stop turning this moment(shown in Fig.2(1)).

## V. Important Safeguards

- 5.1 When use machine normally. Blade must be clear, otherwise tool carrier may be blocked ,that causes motor burnt out. If tool carrier is blocked, handle must be raised immediately.
- 5.2 Hands don't contact ice-breaking container(b) and tool carrier while the machine running.
- 5.3 Don't wash the machine, don't put it in water too.
- 5.4 Don't work continuously for more than 15 minutes.
- 5.5 If the machine is broken or under abnormal conditions,stop machine immediately.
- 5.6 Under-age persons keep away from the machine.

## VI. Maintenance

- 6.1 After finished, turn off power switch and then pull up the plug.
- 6.2 The machine is food machinery , so wash clear the parts that contact with ices , and keep it in dry and ventilated place every day after working (Note: don't use cleaning agent that may do persons an injury).

6.3 Please contact with supplier for technicians to maintain the machine if having machinery or circuit troubles .

## VII. Trouble and Solution

Trouble	Cause	Solution
Turn on , but don't work	No power source	Check power source plug and socket.
	Motor or capacitance trouble	Contact with admmissive supplier
Stop suddenly while working	<ol style="list-style-type: none"> <li>1 Voltage undulates too large .</li> <li>2 Power-down switch burnt out.</li> <li>3 Continuous working time is too long.</li> </ol>	<ol style="list-style-type: none"> <li>1 Check power switch .</li> <li>2 Change a new power-down switch</li> <li>3 Waiting a few minutes then start again .</li> </ol>
Don't break ices	Blades on the tool carrier don't be installed to correct place.	Loosen bolts connecting tool carrier and motor by socket wrench. Take out tool carrier, loosen bolt fixing blade ,and then adjust distance between blade and cutting edge to standard distance(1.2mm). If blade is blunt, mill blade or change a new blade . And then install tool carrier to correct place .

### VIII. Technical Parameters

Description	Unit	Parameter
Power Rating	W	250
Rated Frequency	Hz	60
Rated Voltage	V	110
Diameter of Tool Carrier	mm	100
Production Efficiency	Kg/min	2
Net weight	Kg	4.6

### IX. Circuit Diagram

